

X2-MRA Series

Rocker Switches



SPECIFICATIONS

Electrical rating : 3A 250VAC & 3A 125VAC

Contact resistance: < 20mΩ(initial)

Insulation resistance: > 1000MΩ(500VDC between open contacts)

Dielectric strength: > 1500V 1 minute

Mechanical life: > 30000 cycles

Electrical life: > 10000 cycles

Temperature rise at the terminal: Max.30°C

Solder ability of terminal: Max350°C, 3S(no pressure may be placed in the terminals when soldering by hand)

Any Cd Pb Hg etc and it's compounds is not include in this product

Ambient temperature: 10T85/55

Ambient humidity: Max.85%

Degree of protection: IP20

Applicability for appliance of class: class II

Proof tracking resistance index(PTI): 175

Degree of pollution: normal

MATERIALS

Housing: PA66

Rocker: PA66

Contacts: Silver alloy

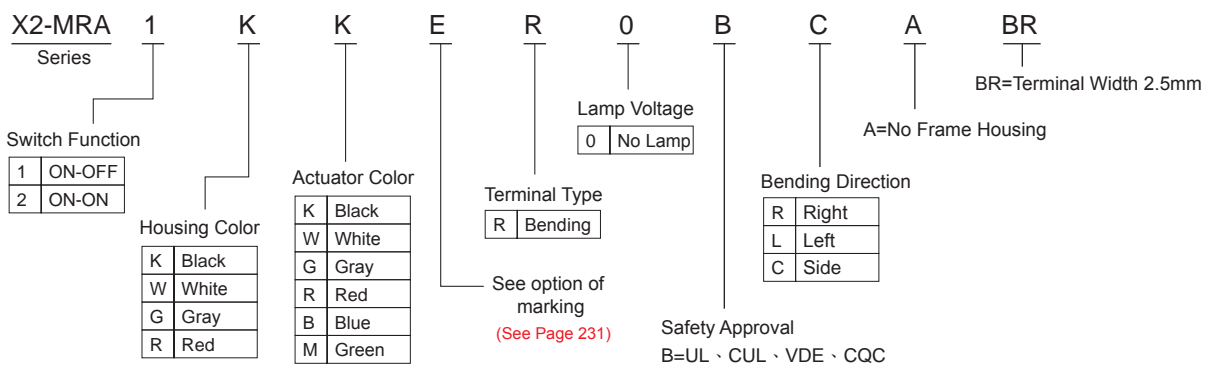
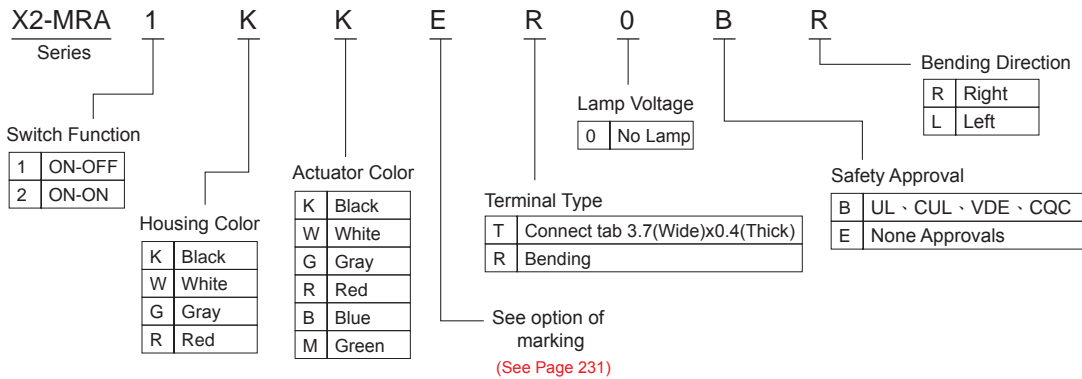
Terminal: Brass silver plated

Spring: SWC

Movable arm: Brass silver plated

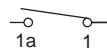


HOW TO ORDER



OPTIONS OF SWITCH FUNCTION

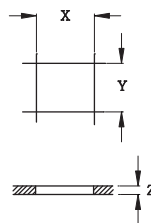
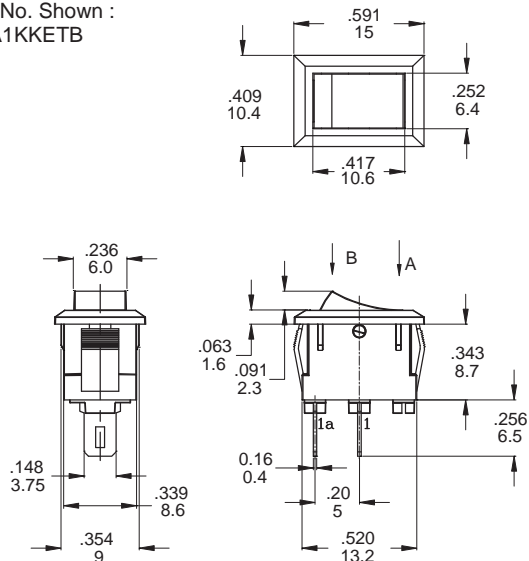
| Item NO | POLES & THROWS | Rocker position | | |
|---------|----------------|-----------------|--------|-------|
| | | Left | Center | Right |
| X2-MRA1 | SPST | ON | None | OFF |
| X2-MRA2 | SPDT | ON | None | ON |



CIRCUIT SPST

| POLE FUNCTION | OPTIONS OF FUNCTION | | |
|---------------|---------------------|---|-----|
| | A | — | B |
| SPST | 1-1a | — | OFF |

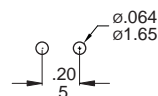
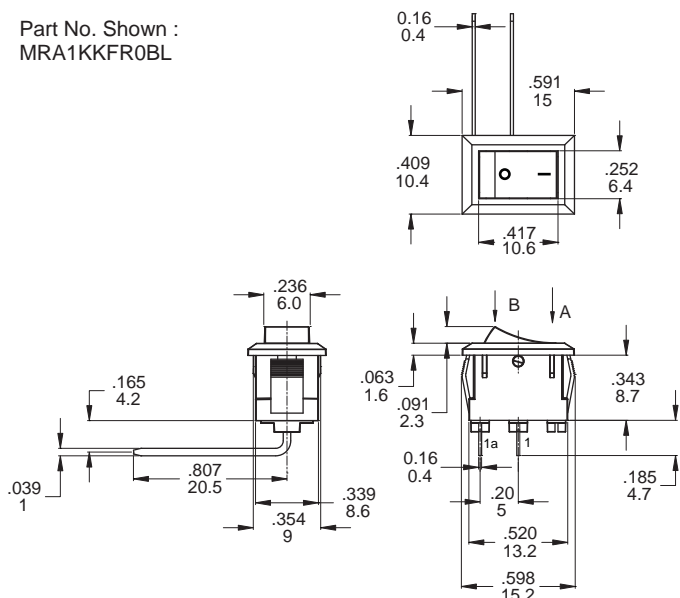
Part No. Shown :
MRA1KKETB



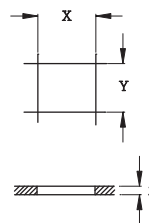
| PANEL OUT-CUT | | |
|------------------------|-----------------------|-------------------------|
| Z | Y | X |
| 0.7-1.25 [.028-.049] | 9.1-9.2 [.358-.362] | 13.6-13.8 [.535-.543] |
| 1.25-2.0 [.049-.079] | 9.1-9.2 [.358-.362] | 13.8-14.0 [.543-.551] |
| 2.0-3.0 [.079-.118] | 9.1-9.2 [.358-.362] | 14.0-14.1 [.551-.555] |

* We keep the right to alter the dimension without notice.

Part No. Shown :
MRA1KKFR0BL



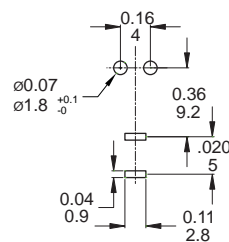
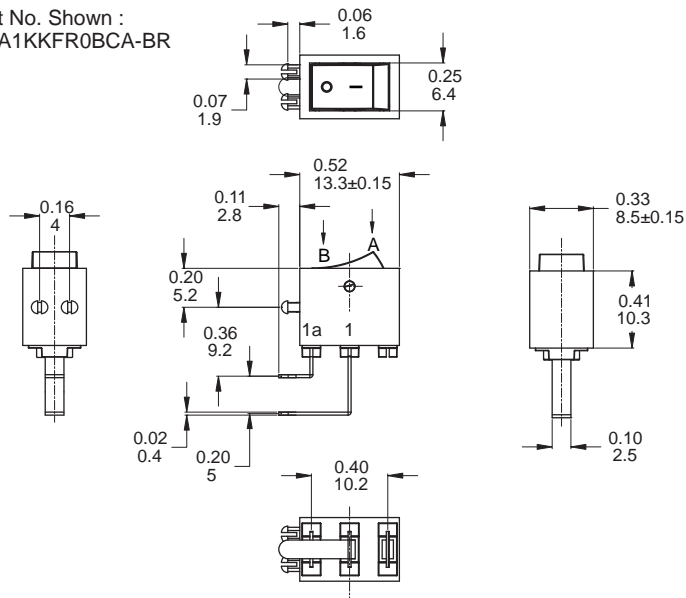
PC MOUNTING



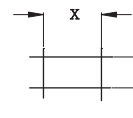
| PANEL OUT-CUT | | |
|------------------------|-----------------------|-------------------------|
| Z | Y | X |
| 0.7-1.25 [.028-.049] | 9.1-9.2 [.358-.362] | 13.6-13.8 [.535-.543] |
| 1.25-2.0 [.049-.079] | 9.1-9.2 [.358-.362] | 13.8-14.0 [.543-.551] |
| 2.0-3.0 [.079-.118] | 9.1-9.2 [.358-.362] | 14.0-14.1 [.551-.555] |

* We keep the right to alter the dimension without notice.

Part No. Shown :
MRA1KKFR0BCA-BR



P.C MOUNTING



| PANEL OUT-CUT | |
|-----------------------|-------------------------|
| Y | X |
| 8.7-8.9 [.338-.354] | 13.5-13.7 [.528-.543] |

* We keep the right to alter the dimension without notice.